

NOTES:

1. DIAGRAM REFER TO SINGLE FEED MAX. RUN LENGTH. LONGER FIXTURES MAY REQUIRE 24V POWER SUPPLY CONNECTED TO BOTH ENDS.
2. CHECK NEON FLEX SPECIFICATION SHEETS FOR MAXIMUM RUN LENGTHS OF YOUR RGB FIXTURE MODEL AND COLOR.
3. DIAGRAM FOR WIRE CONNECTION REFERENCE ONLY. FOR TOTAL POWER AND NUMBER OF CHANNELS REQUIRED ON YOUR APPLICATION, CHECK SPECIFICATION SHEETS OF EACH PRODUCT.
4. DIAGRAM SHOWS TYPICAL WIRE AND MAXIMUM DISTANCES. FOR EXACT DIMENSIONING, CONSULT SPECIFICATION OF EACH PRODUCT SEPARATELY.

BOM:

1. 24V POWER SUPPLY
2. NEON FLEX RGB (S160, S270, WAVE, WAVE 320)
3. LTECH WiFi-102
4. PWM Repeater

Product:

NEON FLEX RGB (S160, S270, WAVE, WAVE 320)

Project:

SUPPORT WIRING DIAGRAMS

Title:

NEON FLEX RGB
WiFi-102 + REPEATER

Date:

JAN 8, 2019

Drawn:

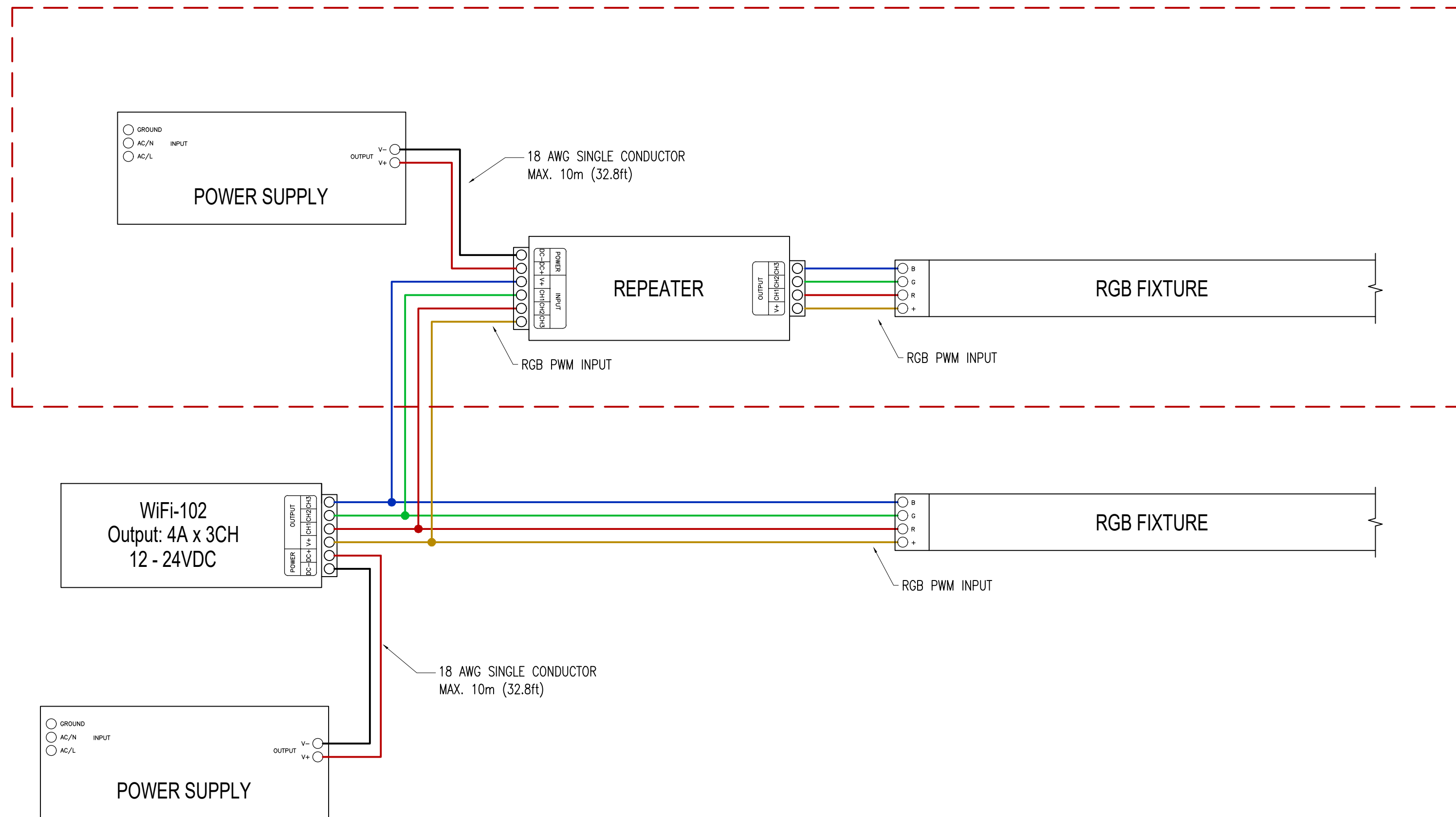
DANIEL

Scale:

NTS

Rev:

01



VIVID RGB INSTALLATION
WITH LTECH WiFi-102 + REPEATER