

Part Number Naming Convention

Part number configuration for Flex fixtures and accessories.

Included in this document:

- LED Neon Flex & Accessories
- Silicone Flex & Accessories
- Landscape Flex & Accessories
- Light Strips & Accessories

Questions/Concerns?

Please contact GLLS with any questions or concerns regarding part numbers.

<https://www.glls.com/contact-us/>

1 888 580 6366

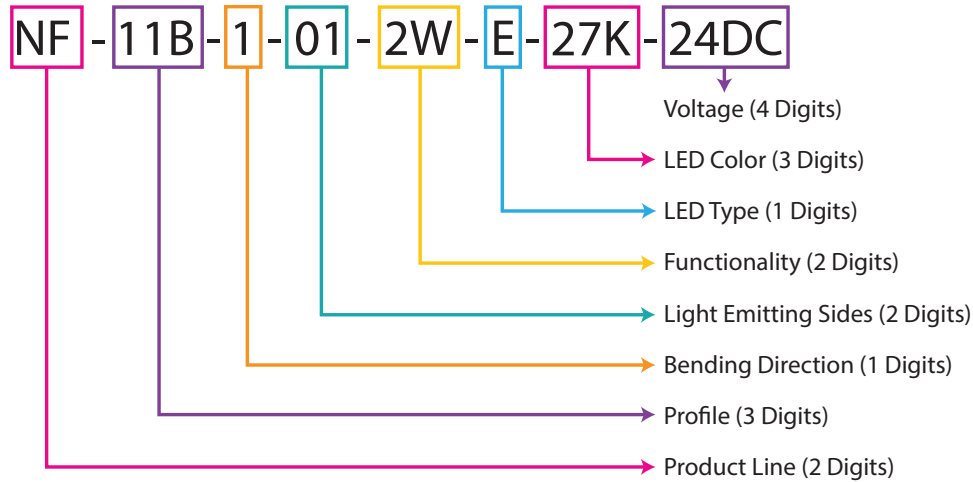
Or via Live Chat on www.GLLS.com

To provide feedback to GLLS please fill out the feedback form at

<https://www.glls.com/glls-feedback-form/>

Fixtures

LED Neon Flex, Landscape Flex, Silicone Flex, High Output LED Neon Flex



Product Line (2 digits)

NF - LED Neon Flex
SF - Silicone Flex
LF - Landscape Flex

NH - High output LED Neon Flex

LED Type (1 digit)

E - Epistar
N - Nichia

Profile (3 digits)

09A - 9x18 Vivid Contour
11B - 11x21 Vivid S 160
11C - 11x26 Vivid Basic, Landscape Flex
11D - 11x29 Vivid S 270

16E - 16x17 Vivid Wave, Wave 320
10F - 10x10 Vivid Wave Mini

LED Color (3 digits)

RED
GRE - Green
BLU - Blue
AMB - Amber
ORA - Orange
PIN - Pink
25K....65K - Color Temperature
27R....50R - CRI 90 Color Temperature
RGB

DWH - Dynamic White
RGW - Pixel with white LEDs
RWW - Pixel with warm white LEDs
TRU - Vivid True Color Jacket
Y__ - Yellow Color Jacketed
_CJ - Color Jacketed fixture

Bending Direction (1 digit)

0 - Top Bending
1 - Side Bending

Light Emitting Sides (2 digits)

01 - One side
03 - Three sides

Functionality (2 digits)

2W - Static
3W - Pixel/Dynamic White
4W - RGB

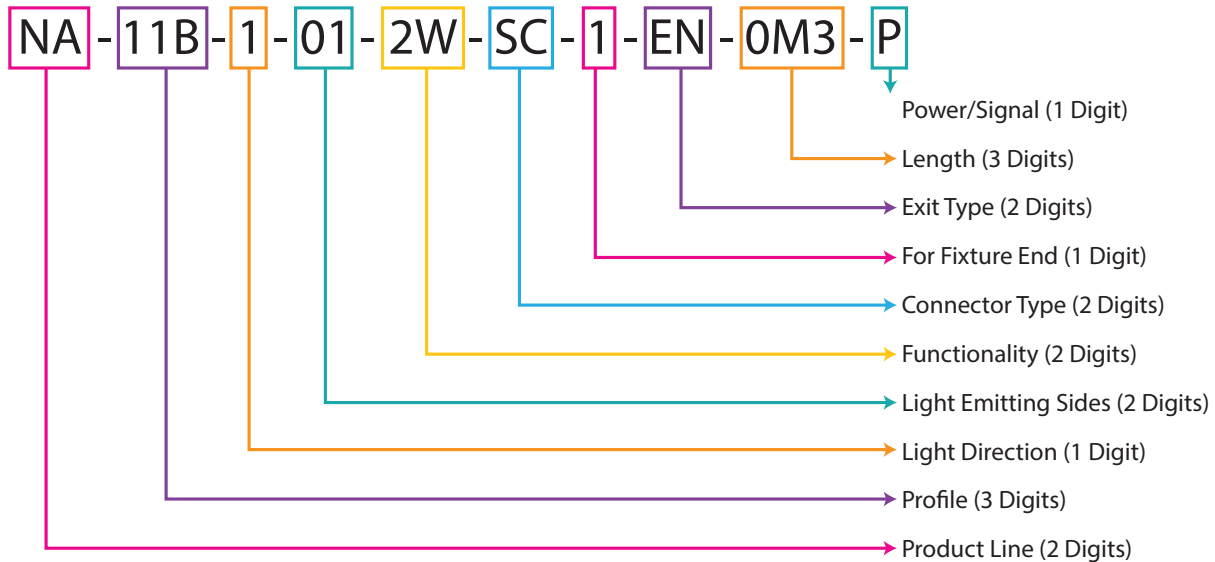
Voltage (4 digits)

24DV - 24V DC
24DC - 24V DC
05DC - 5V DC
12DV - 12V DC

12AR - 12V DC
120R - 120V AC
240R - 240V AC

Lead Connectors

LED Neon Flex, Landscape Flex, Silicone Flex, High Output LED Neon Flex



Product Line Accessories (2 digits)

NA - NF Accessories
FA - Silicone accessories
LA - Landscape Accessories
HA - High Output Accessories

Profile (3 digits)

09A - 9x18 Vivid Contour
11B - 11x21 Vivid S 160
11C - 11x26 Vivid Basic, Landscape Flex
11D - 11x29 Vivid S 270
16E - 16x17 Vivid Wave, Wave 320
10F - 10x10 Vivid Wave Mini

Bending Direction (1 digit)

0 - Top Bending
1 - Side Bending

Light Emitting Sides (2 digits)

00 - 16E
01 - 09A/11B/11C/11D/10F

Functionality (2 digits)

2W - Static
3W - Pixel/Dynamic White
4W - RGB

Connector Type (2 digits)

SC - Snap Connector
SE - Seamless
SV - Swivel
SW - Screw
SU - Submersible

For Fixture End (1 digit)

1 - Input side
2 - Output side
0 - Jumpers and T-Feeds

Exit Type (2 digits)

EN - End
BO - Bottom
SL - Side left
SR - Side right
EJ - End jumper
BJ - Bottom jumper
TF - Power T feed

Length (3 digits)

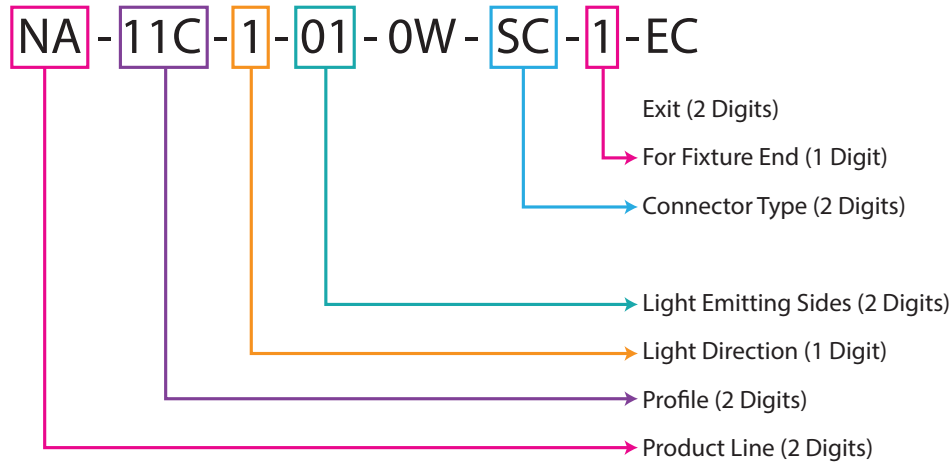
0M3 - 0.98ft (30cm)
01M - 3.28ft (1m)
03M - 9.84ft (3m)
05M - 16ft (5m)
10M - 32.81ft (10m)

Power/Signal (1 digit)

P - Power
S - Signal & power

End Caps

LED Neon Flex, Landscape Flex, Silicone Flex, High Output LED Neon Flex



Product Line Accessories (2 digits)

NA - NF Accessories
FA - Silicone accessories

LA - Landscape Accessories
HA - High Output Accessories

Connector Type (2 digits)

SC - Snap Connector
SE - Seamless
SU - Submersible
SW - Screw
SV - Swivel

Profile (3 digits)

09A - 9x18 Vivid Contour
11B - 11x21 Vivid S 160
11C - 11x26 Vivid Basic, Landscape Flex

11D - 11x29 Vivid S 270
16E - 16x17 Vivid Wave, Wave 320
10F - 10x10 Vivid Wave Mini

For Fixture End (1 digit)

1 - Input side
2 - Output side
0 - Interchangeable

Bending Direction (1 digit)

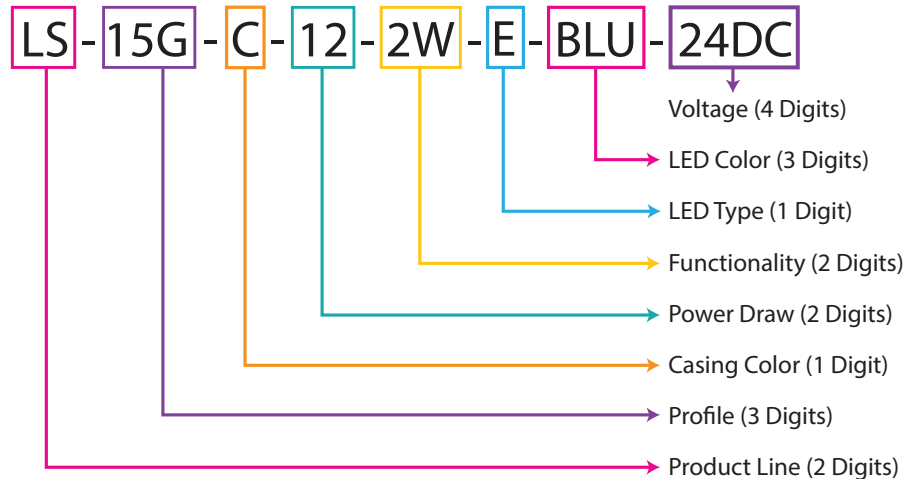
0 - Top Bending
1 - Side Bending

Light Emitting Sides (2 digits)

00 - Interchangeable (1 or 3 sides)
01 - Single Sided

Fixtures

LED Light Strip



Product Line (2 digits)

LS - LED Light Strips **SL** - Silicone Light Strips

Profile (3 digits)

15G - 15X6 LED Light Strip

Casing Color (1 digit)

C - Clear
B - Black
W - White

Power Draw (2 digits)

12 - 3.66W/ft (12W/m)
06 - 1.83W/ft (6W/m)

Functionality (2 digits)

2W - Static
3W - Pixel/Dynamic White
4W - RGB

LED Type (1 digit)

E - Epistar
N - Nichia

LED Color (3 digits)

RED
GRE - Green
BLU - Blue
AMB - Amber
ORA - Orange
PIN - Pink
25K....65K - Color Temperature
27R....50R - CRI 90 Color Temperature
RGB

Voltage (4 digits)

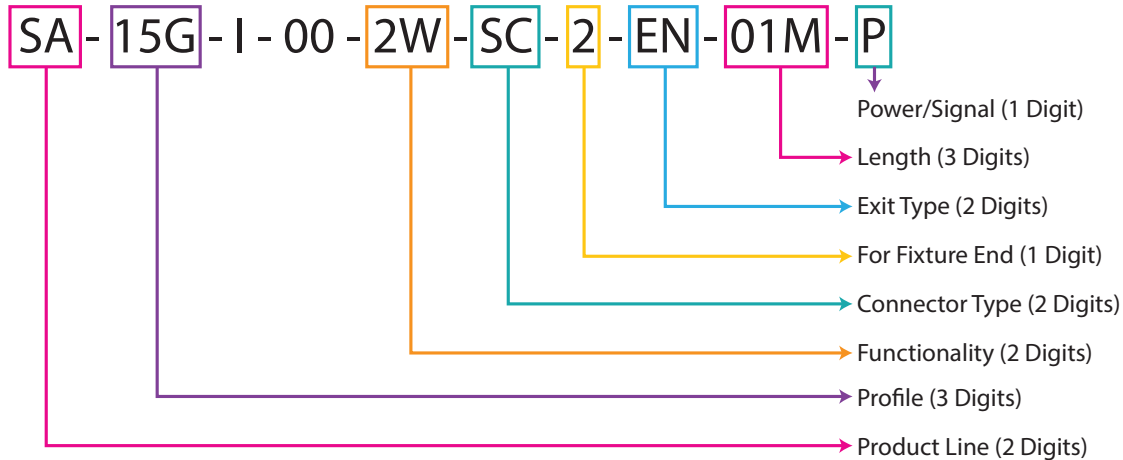
24DV - 24V DC
24DC - 24V DC
05DC - 5V DC
12DV - 12V DC

DWH - Dynamic White
RGW - Pixel with white LEDs
RWW - Pixel with warm white LEDs
TRU - Vivid True Color Jacket
Y__ - Yellow Color Jacketed
_CJ - Color Jacketed fixture

12AR - 12V AC
120R - 120V AC
240R - 240V AC

Connectors

LED Light Strip



Product Line Accessories (2 digits)

LA - Silicone Light Strip Accessories **SA** - Light Strip Accessories

Profile (3 digits)

15G - 15X6 LED Light Strip

Functionality (2 digits)

2W - Static
3W - Pixel/Dynamic White
4W - RGB

Connector Type (2 digits)

SC - Snap Connector **SU** - Submersible
SE - Seamless **SV** - Swivel
SW - Screw

For Fixture End (1 digit)

1 - Input side
2 - Output side
0 - Jumpers and T-Feeds

Exit Type (2 digits)

EN - End **EJ** - End jumper
BO - Bottom **BJ** - Bottom jumper
SL - Side left **TF** - Power T feed
SR - Side right

Length (3 digits)

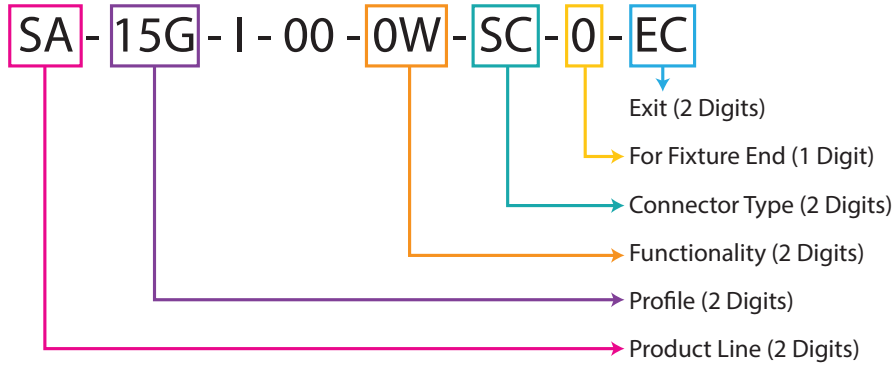
0M3 - 0.98ft (30cm) **05M** - 16ft (5m)
01M - 3.28ft (1m) **10M** - 32.81ft (10m)
03M - 9.84ft (3m)

Power/Signal (1 digit)

P - Power
S - Signal & power

End Caps

LED Light Strip



Product Line Accessories (2 digits)

LA - Silicone Light Strip Accessories **SA** - Light Strip Accessories

For Fixture End (1 digit)

1 - Input side
2 - Output side
0 - Interchangeable

Profile (3 digits)

15G - 15X6 LED Light Strip

Exit (2 digits)

EC - End cap

Functionality (2 digits)

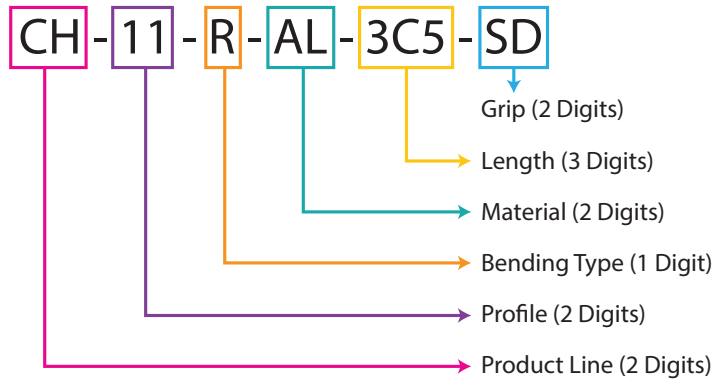
0W - Interchangeable

Connector Type (2 digits)

SC - Snap Conenctor **SW** - Screw
SE - Seamless **SV** - Swivel
SU - Submersible

Mounting Hardware

For All Fixture Profiles



Product Line (2 digits)

CH - Channel **CL** - Clip

Profile (2 digits)

09 Vivid Contour **16** Vivid Wave, Wave 320
15 LED Light Strip **10** Vivid Wave Mini
11 Vivid Basic, Vivid S, Landscape Flex

Bending Type (1 digit)

R - Rigid
F - Flexible

Material (2 digits)

AL - Aluminum **AP** - Aluminum Plastic
PL - Plastic **SS** - Stainless Steel
HA - Heavy anodized

Length (3 digits)

3C5 - 1.38in (3.5cm) **0M9** - 2.95ft (90cm)
0M1 - 0.33ft (10cm) **01M** - 39.37in (1m)
0M3 - 0.98ft (30cm) **02M** - 78.74in (2m)
0M5 - 1.64ft (50cm)

Grip (2 digits)

SD - Standard
SP - Spring Clip
FC - Floating clip